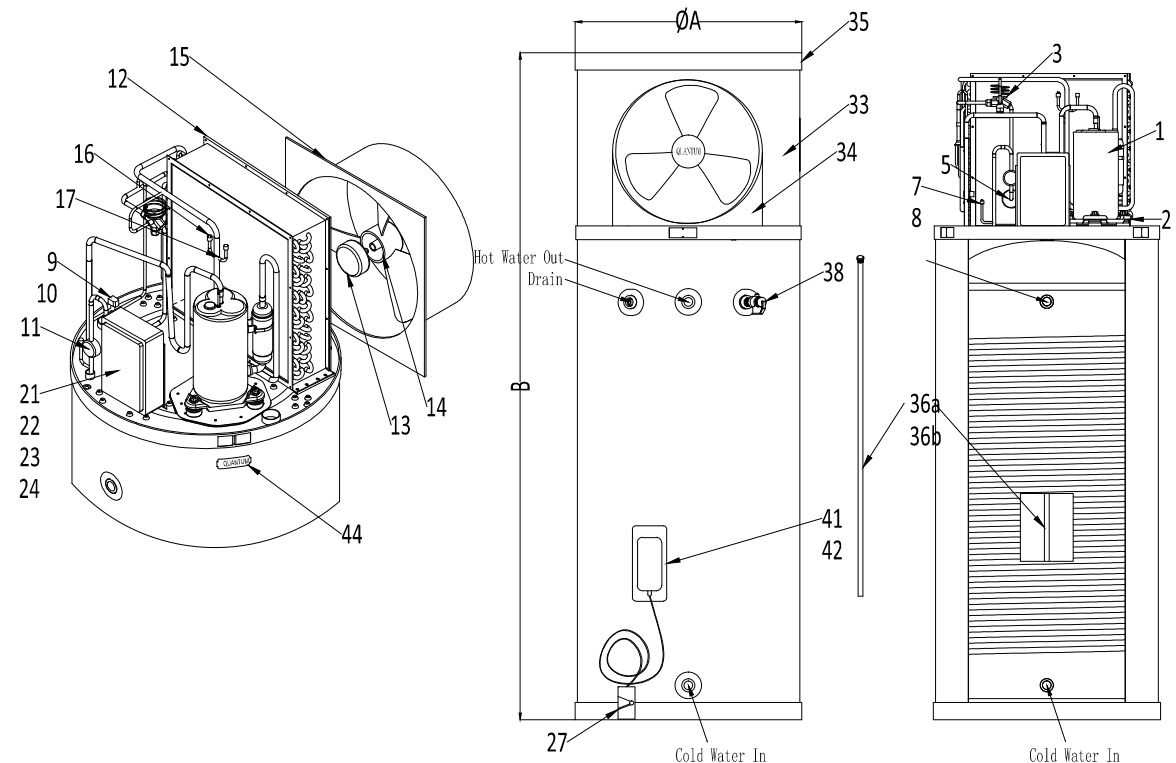


IPL	Description	Qtm code	TL Code	Tasman Code
1	Compressor Gree 290	QDP2104	158019	475216
2	Compressor mount rubber	QAP4200	158076	475276
3	(TX) Expansion Valve 08AC6	QDP2106	158021	475220
5	Filter Drier	QAP2169	158005	475203
7	Service valve (no core)	QAP0050	158032	475233
8	Valve core	QAP0051	158033	475234
9	Solenoid Valve De-Ice	QAP0887	158003	475202
10	Coil De-Ice	QAP0886	158002	475201
11	Sight Glass	QAP2170	158006	475204
12	Evaporator Assy FP-270G	QAP2131	158060	475260
13	fan motor 270/340 08AC6/11AC4	QSP0005	158111	475311
14	Fan blade 270/340 08AC6/11AC4	QSP0007	158113	475313
15	Fan grille 270/340 08AC6	QSP0008	158114	475314
16	LP Switch	QAP4163	158013	475212
17	Cross T Piece	QDP2136	158023	475223
21	Digital Controller HPC1604	QDP2105	158020	475218
22	Capacitor 30uf	QAP2917	158009	475211
23	Capacitor Fan	QSP0006	158112	475312
24	Control Box Enclosure	QAP1131	158048	475248
27	Isolating Switch	QDP2002	158016	475213
33	Top Cover Alum A&B	DP2101&	158090	475290
34	Small Top Cover Alum C	QDP2108	158092	475292
35	Top Lid Stainless	QDP2205	158100	475300
36a	Anode Bar 270	QAP2752	158008	475205
36b	Anode Bar 340	QAP3753	158010	475206
38	PTR Valve 850kPa	QAP0739		475289
41	Electrical Access Cover	QDP2206	158101	475301
42	Access cover seal	QDP2207	158102	475302
44	Screw Cover SS 'Quantum'	QDP2006	158017	475214
NOT ILLUSTRATED				
	Spring Compressor Temp Sensor	QAP0890	158041	475241
	Temp Sensor Evap (Blue)	QAP0097B	158034	475235
	Temp Sensor Comp (Red)	QAP0097R	158035	475236
	Temp Sensor Tank (Yellow)	QAP0097Y	158036	475237
	Compressor Frame	QDP1106	158087	475287
	Compressor terminal cap (08AC6/11AC3&4)	QCP2112		
	Seal Plastic Fan Surround	QSP0067		
	Label 'Quantum' fan grille	QDP2012	158089	475289
	Anode Flexible 150/270 (option)	QAP3754	158011	475209
	Anode Flexible 200/340 (option)	QAP3755	158012	475210
	Owners & Installers Manual	QDP2008	158018	475215
	Packing carton 270/340 lower half	QAP2303		
	Packing carton 270/340 upper half	QAP2301		
	Tilt Indicator	QAP0061		

Models 270-08AC6-290
340-08AC6-290



	A	B
270	650	1920
340	650	2230